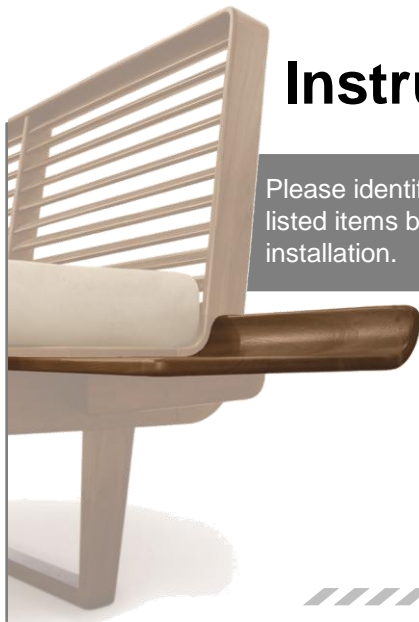


Instructions for Contour Shelf Nightstand



Please identify the listed items before installation.

Hardware included:

- 1/4 - 20 x 35mm hex bolts (4)
- 3/8" "v" head drill (1 – if purchasing nightstand alone)

- Allen wrench (1)

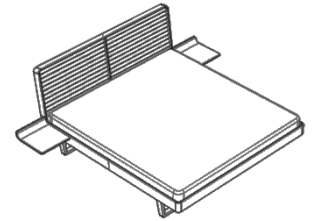
Components included:

- Shelf nightstand (1)

Shelf nightstand can be configured in three forms: left and right nightstands, left nightstand only, or right nightstand only.

Contour bed with Shelf Nightstand(s)

- King
- Queen
- Cal King



Tools required | Drill (w/ 3/8 "v" head) | Allen wrench

SKIP IF INSTALLING ON NEW BED

Step 1: Pre-drill holes on *deck sides* (IF INSTALLING ON PREVIOUSLY PURCHASED BED)

This step only shows the process of drilling holes for left nightstand. To drill holes for right nightstand would be the same procedure. Use 3/8 "v" head to drill four holes on *headboard* and *deck side* as indicated in **Figure 1**. In order to avoid chip, when doing the drilling please put a piece of wooden block on the other side of the deck so that the drill bit can drill into the wood.

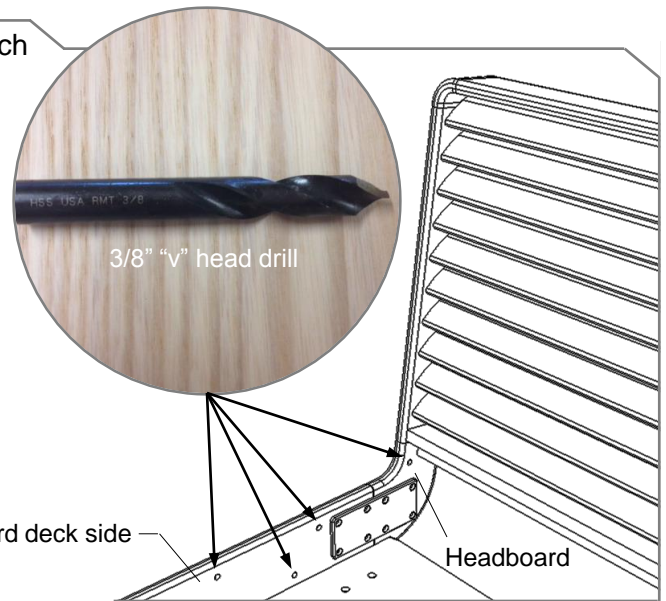
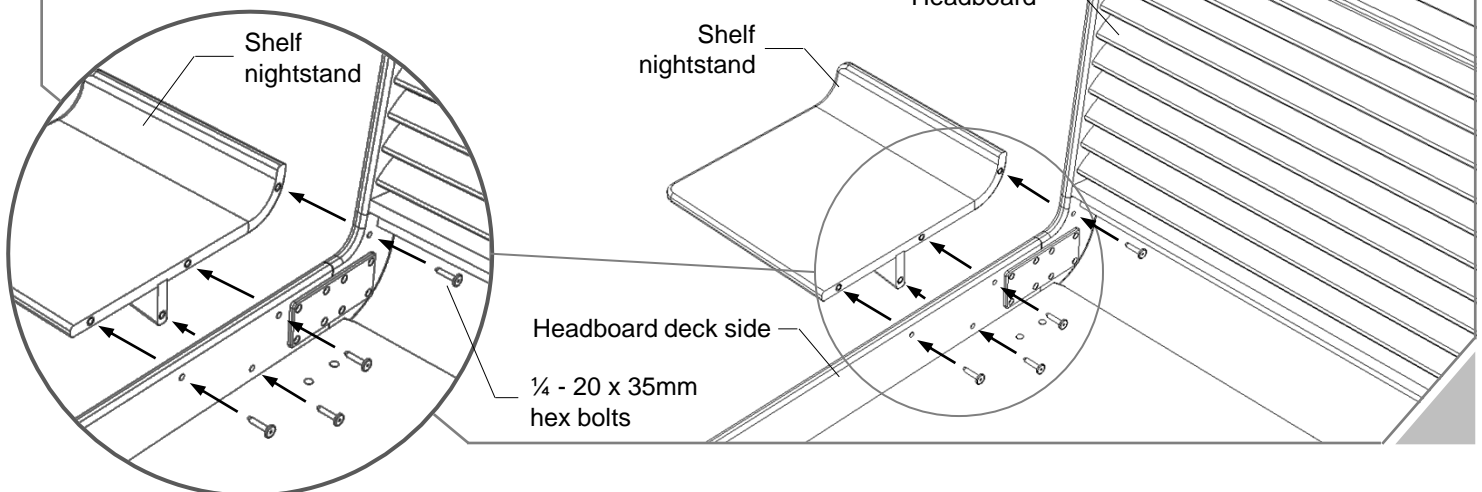


Figure 1. Pre-drill holes

Step 2: Install shelf nightstand(s)

Align and attach the shelf nightstand(s) to pre-drilled holes on the *headboard* and *deck side(s)* with 1/4 - 20 x 35mm hex bolts (**Figure 2**).

Figure 2. Install shelf nightstand with provided bolts



Care Instructions

To care for and preserve the finish on your new Copeland Furniture piece, please keep the following recommendations in mind.

- While our furniture has been finished with a durable top coat, the surface may be sensitive to dents and abrasions during the first 30 days in your home.
- Treat the surface finish gently so it does not dent or chip. Tape or stickers should not be put on the finish.
- For general care use a soft cloth to dust the furniture.
- Use damp cloth with a mild soap to clean-up spills or dirt. Dry the surface thoroughly.
- Please do not use any polishes, waxes or solvents to clean the surface of the furniture. This holds true for new Copeland Furniture pieces as well as items you may already have in your home.
- Please do not place any candles directly on the surface of your furniture. The perfumes and dyes in the candles may penetrate the finish.
- Beds must be disassembled before moving to avoid damage. Never attempt to move the bed while it is assembled.

