

Instructions for Essentials Farm Tables



Unpack the table onto a soft level surface and identify the listed items.

Hardware included:

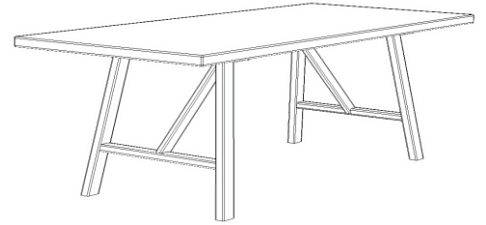
- 1/4" – 20 x 35mm hex bolts (10)
- Allen wrench (1)

Components included:

- Leg assembly (2)
- Table Top (1)
- Support Arm (2)

Essentials Farm Tables:

- 36" x 82" Table, 6-FAR-8236-94
- 36" x 94" Table, 6-FAR-9436-94
- 40" x 82" Table, 6-FAR-8240-94
- 40" x 94" Table, 6-FAR-9440-94



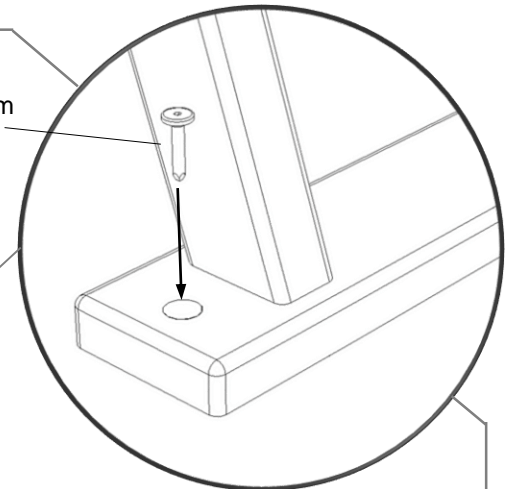
Tools required | Allen wrench



Step 1: Install the leg assembly

Lay the *Table Top* face down on a soft level surface. Use the Allen wrench to attach the *Leg Assembly* to the *Table Top* by using three 1/4" – 20 x 35mm hex bolts (**Figure 1**).

1/4" – 20 x 35mm
Hex bolt



Leg Assembly

Table top

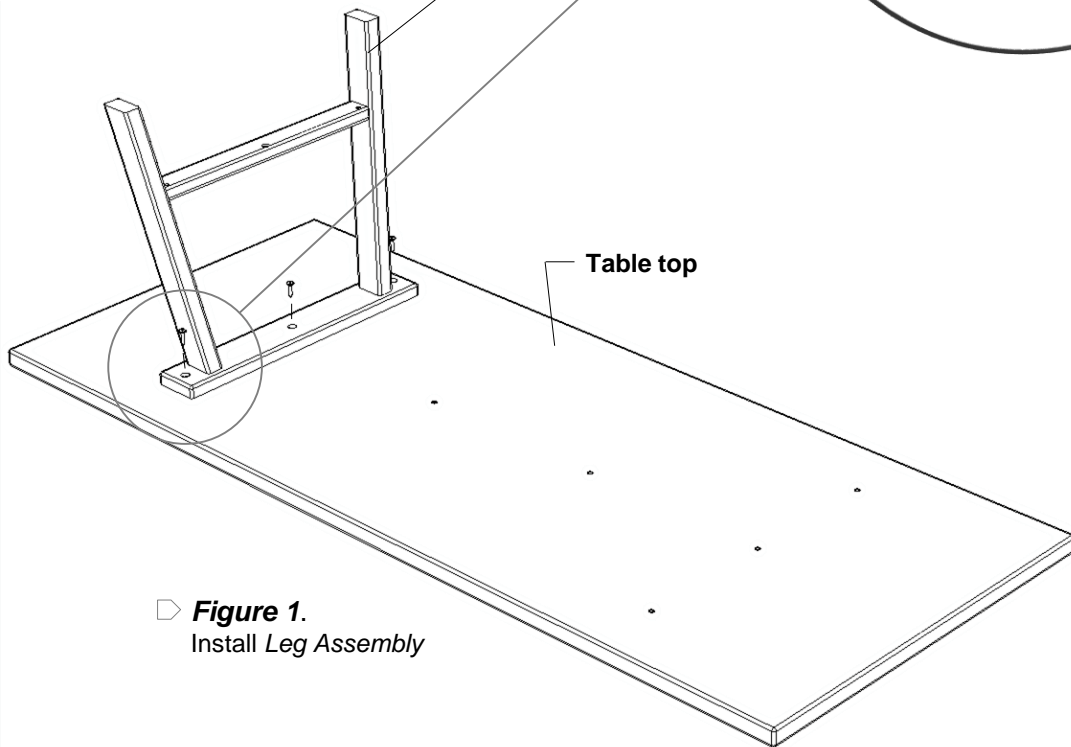


Figure 1.
Install Leg Assembly

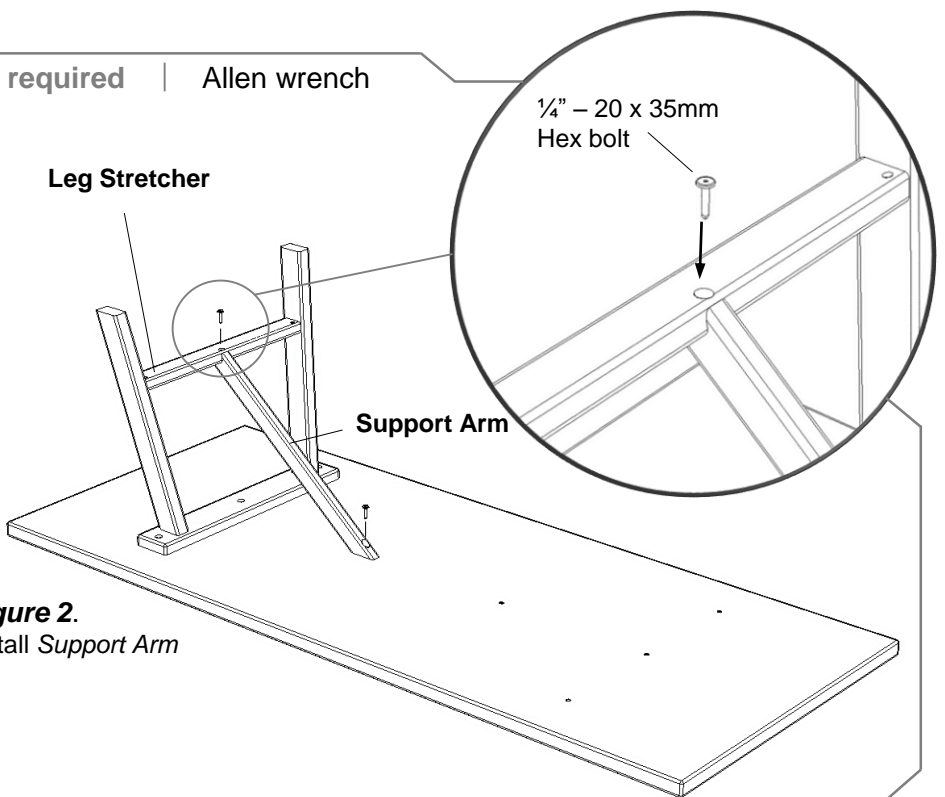
Tools required

Allen wrench

Step 2: Install the *support arm*

Place the support arm as shown in *Figure 2*. Align the holes in the support arm with the inserts in the leg stretcher and the table top (*Figure 2*). Tighten with $\frac{1}{4}$ " – 20 x 35mm hex bolts.

Use the same methods to install the *leg assembly* and *support arm* on the other side.



► **Figure 2.**
Install Support Arm

Care Instructions

To care for and preserve the finish on your new Copeland Furniture piece, please keep the following recommendations in mind.

- While our furniture has been finished with a durable top coat, the surface may be sensitive to dents and abrasions during the first 30 days in your home.
- Treat the surface finish gently so it does not dent or chip. Tape or stickers should not be put on the finish.
- For general care use a soft cloth to dust the furniture.
- Use damp cloth with a mild soap to clean-up spills or dirt. Dry the surface thoroughly.
- Please do not use any polishes, waxes or solvents to clean the surface of the furniture. This holds true for new Copeland Furniture pieces as well as items you may already have in your home.
- Please do not place any candles directly on the surface of your furniture. The perfumes and dyes in the candles may penetrate the finish.
- Beds must be disassembled before moving to avoid damage. Never attempt to move the bed while it is assembled.

Special Care Instructions for Cherry Furniture

Please read the following if you have purchased a Copeland product in cherry. Furniture that has been crafted from cherry wood becomes darker with age. The change in color, from a reddish tan to a reddish brown, is most noticeable during the first six months of ownership. It is important to understand that exposure to light accelerates the natural oxidization process. An object left on a cherry wood surface for an extended period of time may retard the aging process in a limited area. Simply remove the object and, over time, the surface will attain a uniform reddish brown color.

copeland
FURNITURE