

Moduluxe Box Nightstand Instructions for Plinth Bed

These instructions are for the Moduluxe box nightstand. Please identify the following items before assembly.

Hardware included:

- 1 3/8" Allen bolts (3)
- Alignment bracket (1)
- 2" Allen bolts (2)
- 5/8" pan head screws (2)
- Allen wrench (1)
- 1 1/4" screws & washers (3 sets)



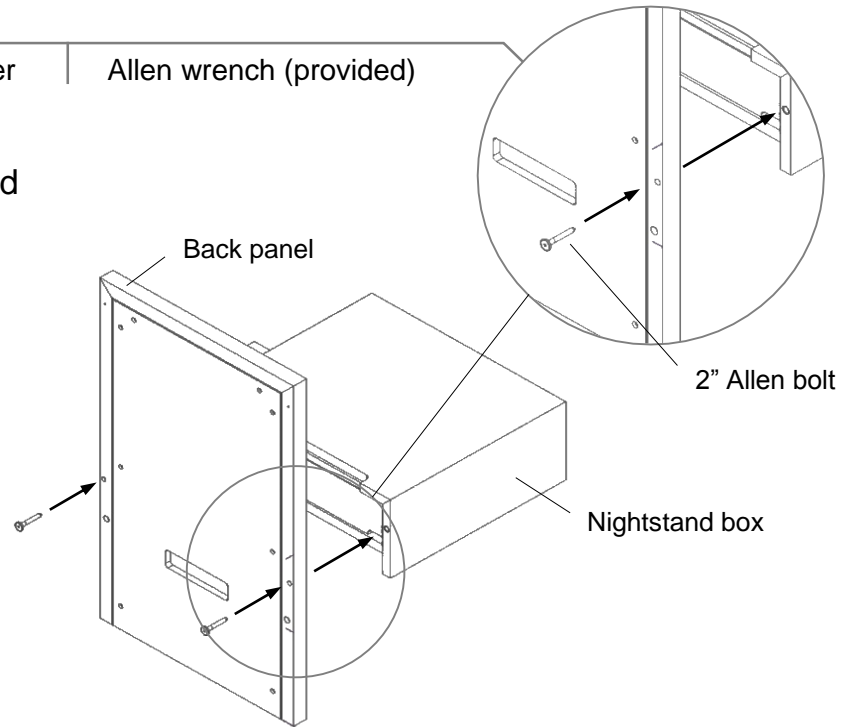
Tools required

Phillips head screw driver

Allen wrench (provided)

Step 1: Assemble the box nightstand

Insert and tighten two 2" Allen bolts through the holes in the back of the back panel to the holes on the back of the nightstand box.



Step 2: Attach the shelf support to the nightstand

Align the 3 holes in the shelf support with the 3 holes in the bottom of the nightstand. Insert and tighten a set of 1-1/4" screw and washer in each of the 3 holes with a Philips screw driver (Figure 2-1&2).

Figure 1. Locations to attach screws and washers

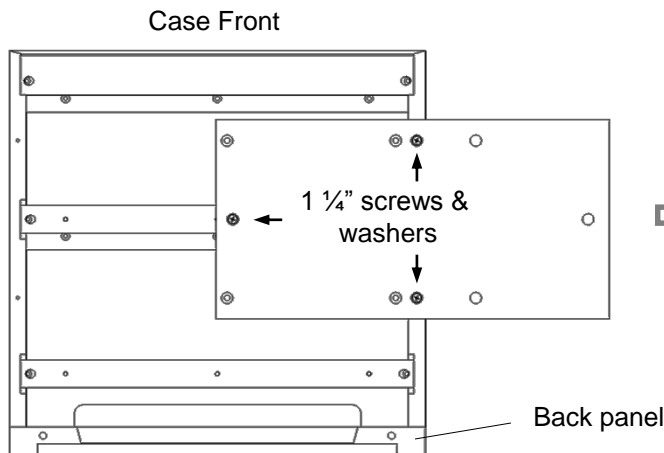


Figure 2-1. Locations to attach screws and washers

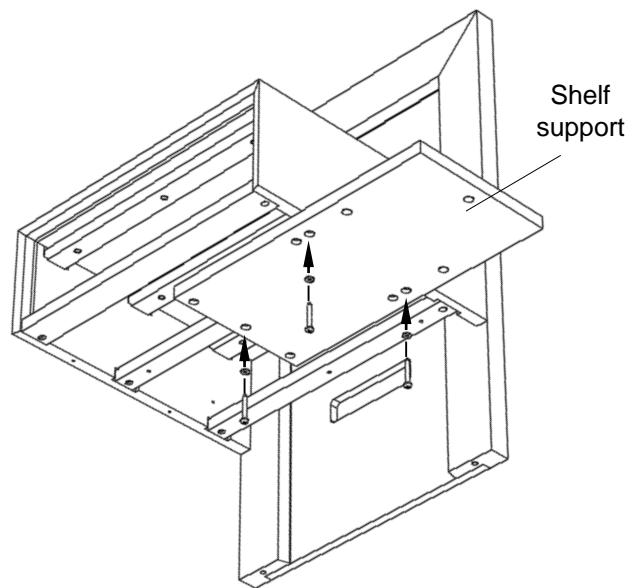


Figure 2-2. Attach screws and washers from the holes under the shelf support to the holes under the nightstand box.

Tools required Allen wrench (provided)

Step 3: Attach shelf support to bed deck

Align the 3 holes in the shelf support with the 3 holes in the bottom of the bed deck. Loosely attach an Allen bolt in each of the 3 holes with the Allen wrench (Figure 3).

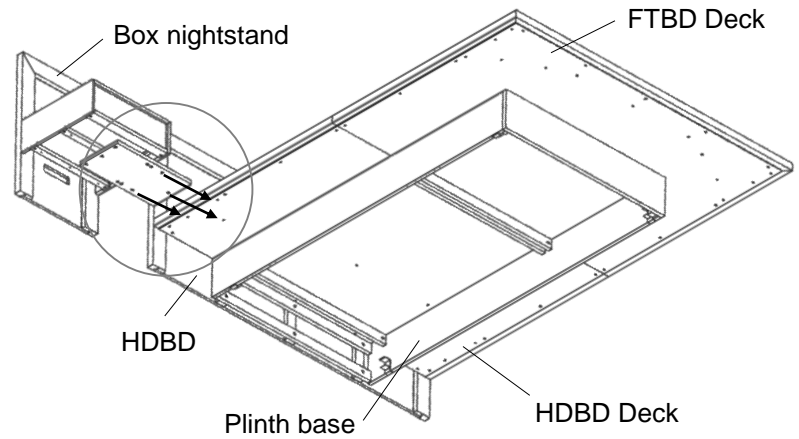
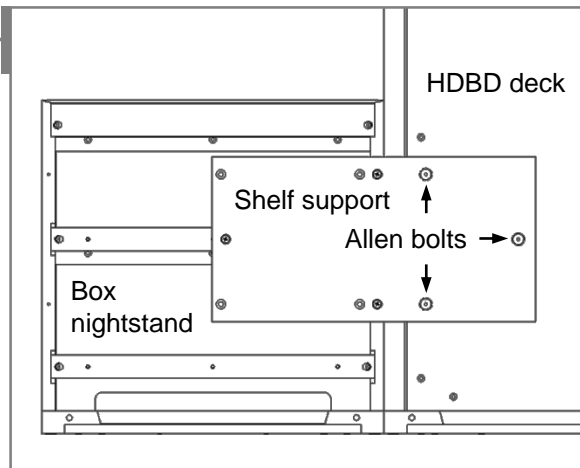


Figure 3. Attach nightstand to bed

Step 4: Level with headboard

Level the nightstand by turning the leveler nuts on the bottom of the nightstand. Align the back of the nightstand with the back of the headboard. Align the holes on the *alignment bracket* to the holes on the box nightstand and headboard. Insert and tighten the 5/8" pan head screws. Finally, fully tighten all the Allen bolts on the shelf support (Figure 4).

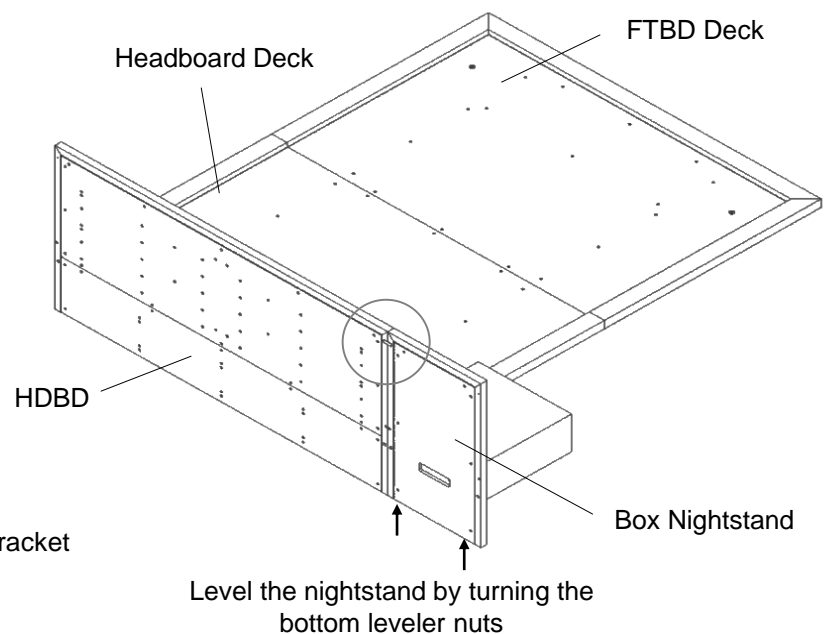
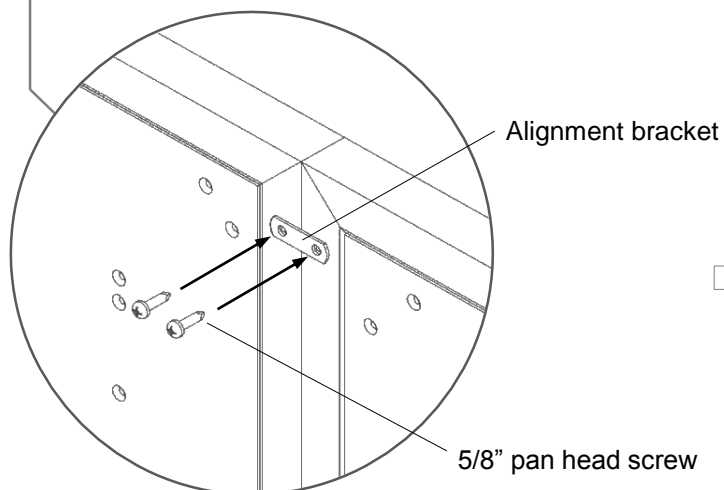


Figure 4. Level and fix the nightstand

Care Instructions

To care for and preserve the finish on your new Copeland Furniture piece, please keep the following recommendations in mind.

- While our furniture has been finished with a durable top coat, the surface may be sensitive to dents and abrasions during the first 30 days in your home.
- Treat the surface finish gently so it does not dent or chip. Tape or stickers should not be put on the finish.
- For general care use a soft cloth to dust the furniture.
- Use damp cloth with a mild soap to clean-up spills or dirt. Dry the surface thoroughly.
- Please do not use any polishes, waxes or solvents to clean the surface of the furniture. This holds true for new Copeland Furniture pieces as well as items you may already have in your home.
- Please do not place any candles directly on the surface of your furniture. The perfumes and dyes in the candles may penetrate the finish.
- Beds must be disassembled before moving to avoid damage. Never attempt to move the bed while it is assembled.

Special Care Instructions for Cherry Furniture

Furniture crafted from cherry wood darkens with age. This change in color, from a reddish tan to a reddish brown, results from the natural oxidation of the wood when it is exposed to light. Objects left on a piece of cherry furniture for an extended period will retard this oxidation process and when removed, may leave a lighter colored outline of the object on the surface. With continued exposure to light, this color difference will eventually disappear and the wood will reach a mature even tone.

