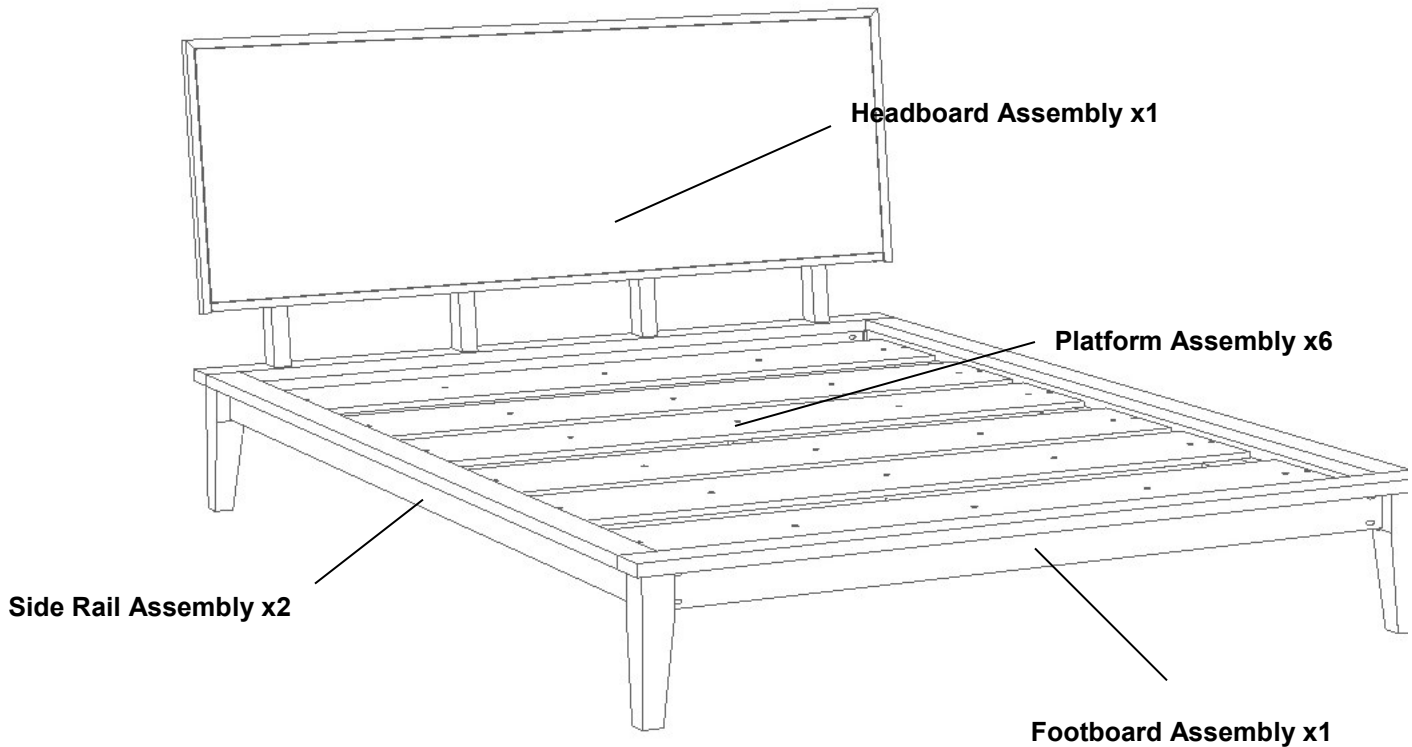


SoHo Bed

assembly instructions



Notice: Beds must be disassembled before moving to avoid damage. Never attempt to move the bed while it is assembled. Failure to do so would void the warranty.

Your SoHo bed is delivered in four boxes. Unpack the bed parts onto a soft, level surface in the space where the bed is to be used. Lay out the headboard, side rails and footboard in their approximate locations.

Tools required for assembly - Straight and right angle wrenches (included) and Phillips Head Screw Driver.

Hardware List

Threaded Rods (8)

#10 x 1 1/2" Screws (12)

Nuts (8)

#8 x 1 3/4" Screws (3)

Washers (8)

8.5" Support Block (3)

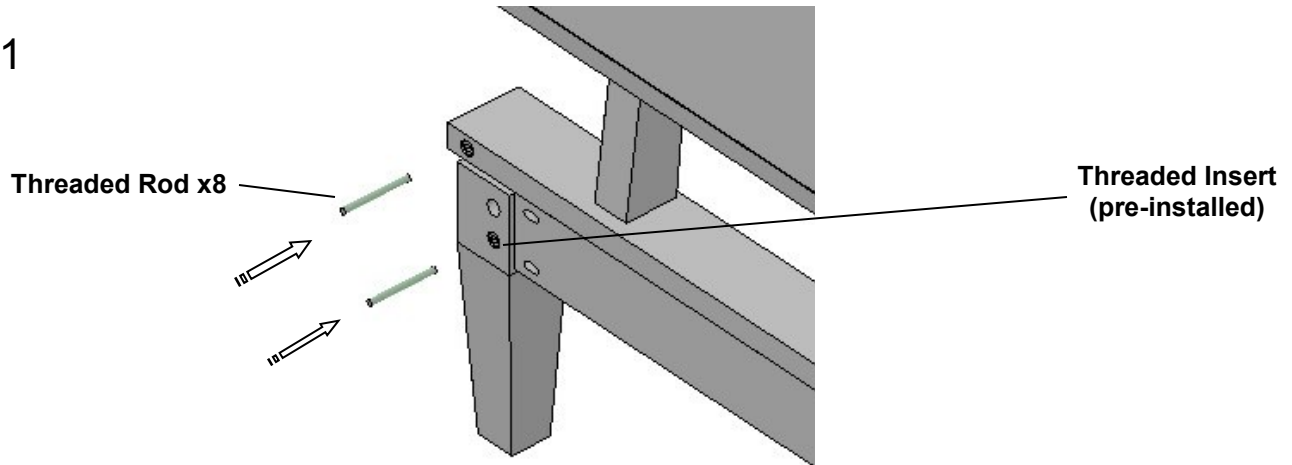
Straight Crescent Wrench

Bent Crescent Wrench

Packaged By _____

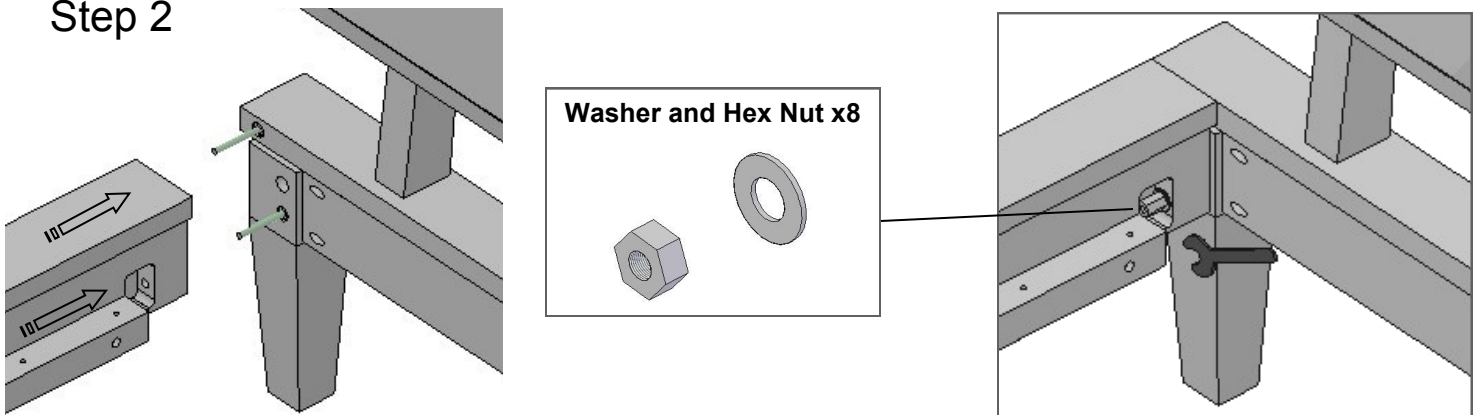
SoHo Bed - assembly instructions

Step 1

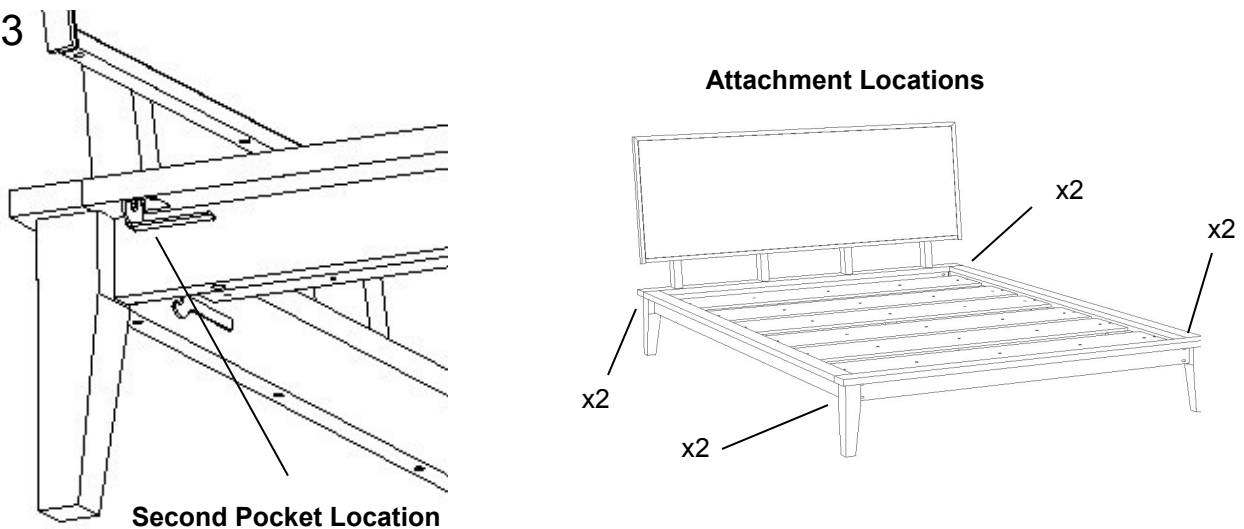


Install all **threaded rods** into the **threaded inserts** (pre installed in the headboard and footboard) and hand tighten as far as possible.

Step 2



Step 3

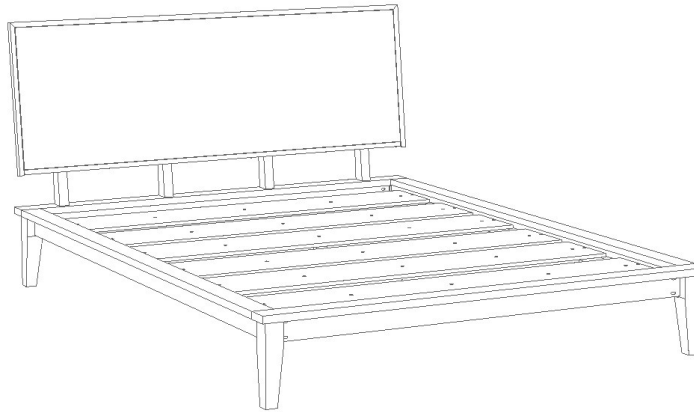


- Repeat step three on the **second pocket** (located beneath each side rail) with the **right angle wrench**.
- Repeat steps two and three at the other side of the headboard and both sides of the footboard.

SoHo Bed - assembly instructions

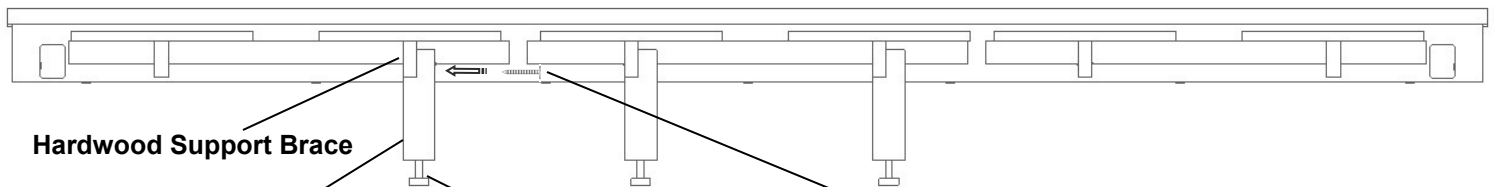
Step 4

- Platform assemblies are to be positioned on the side rails as the illustration shows.
- Begin with one platform assembly closest to headboard and proceed to step 5



Step 5

Side View of Assembled Side Rail, Platforms and Center Support Blocks



Hardwood Support Brace

Center Support Legs x3

Adjustable Foot

#8 1 3/4" Flat Head Screws x3

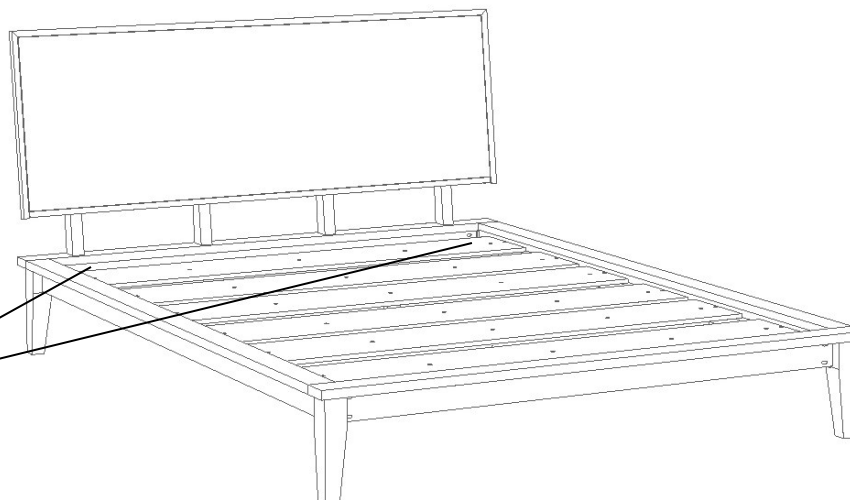


- Starting with the second platform assembly from the headboard, position 1 center support leg under the hardwood support brace as shown in the diagram .
- Retract the adjustable foot slightly so that it only makes contact with the floor when weight is applied to the fully assembled bed.
- Using a 1 3/4" screw, attach the support block to the center of the platform assembly making sure the support brace is in full contact with the shoulder on the support block.
- Repeat process for the two middle platform assemblies.

Step 6

Use the 1 1/2" screws to fasten each platform assembly to the cleats on both side rails.

#10 1 1/2" Washer Head Screws x12



SoHo Bed Care Instructions

Important: Please Note:

Beds must be disassembled before moving to avoid damage. Never attempt to move the bed while it is assembled.

To care for and preserve the finish on your new Copeland Furniture piece, please keep the following recommendations in mind.

- While our furniture has been finished with a durable top coat, the surface may be sensitive to dents and abrasions during the first 30 days in your home.
- Treat the surface finish gently so it does not dent or chip. Tape or stickers should not be put on the finish.
- For general care use a soft cloth to dust the furniture.
- Use damp cloth with a mild soap to clean-up spills or dirt. Dry the surface thoroughly.
- Please do not use any polishes, waxes or solvents to clean the surface of the furniture. This holds true for new Copeland Furniture pieces as well as items you may already have in your home.
- Please do not place any candles directly on the surface of your furniture. The perfumes and dyes in the candles may penetrate the finish.

Special Care Instructions for Cherry Furniture - *Please read the following if you have purchased a Copeland product in cherry.*

Furniture that has been crafted from cherry wood becomes darker with age. The change in color, from a reddish tan to a reddish brown, is most noticeable during the first six months of ownership. It is important to understand that exposure to light accelerates the natural oxidization process. An object left on a cherry wood surface for an extended period of time may retard the aging process in a limited area. Simply remove the object and, over time, the surface will attain a uniform reddish brown color.

